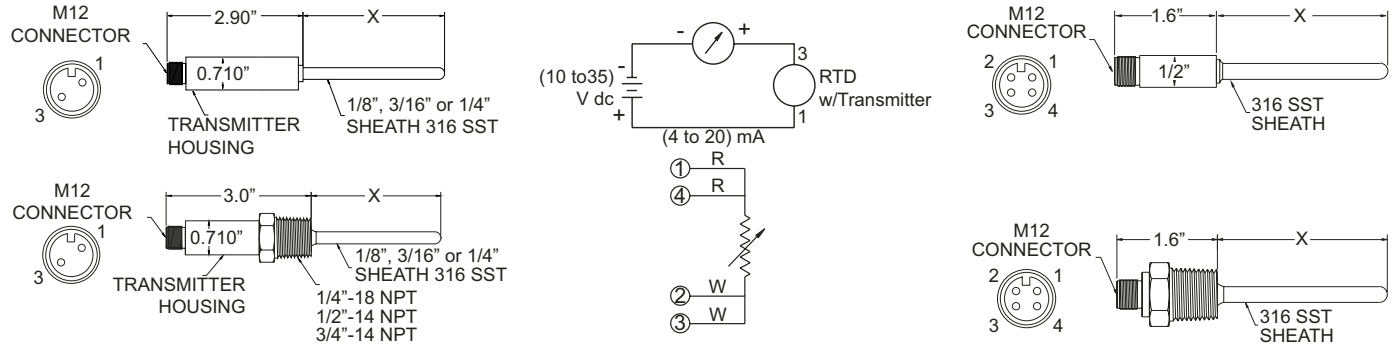


RTD Assemblies house an optional Series 450 Temperature Transmitter (no connection head is required) that is ideal for monitoring temperature in small areas such as tanks and pipes. The water-tight construction meets the NEMA 6P, IP68 Protection Rating requirements. Standard units include a sensor, an M12 process connection housing, and optional transmitter. The transmitter is a 2-wire unit with an analog output. It has measurement input for Pt100 resistance thermometers (RTD) in 4 wire connections. Transmitters can be ranged from (-51 to 160) °C [-60 to 320] °F. With a 10 °C [18 °F] minimum span requirement.



### ORDER CODES

**Example Order Number:** **1** R1T185L **2** 484 - **3** 06 - **4** 00 - **5** C45, T - **6** 450 - **7** U - **8** S (0-200) **9** C

#### 1 Pt100 ( $\alpha=0.00385\text{ }^{\circ}\text{C}^{-1}$ ) RTD Assemblies

CODE	INITIAL ELEMENT ACCURACY @ 0 °C
R1T185L	± 0.1%
R3T185L	± 0.03%
R5T185L	± 0.01%
RAF185L	± 0.06%
RBF185L	± 0.12%

Note: See Instrument Section for total sensor and transmitter output accuracy.

#### 2 316 S.S. Sheath

CODE	DIAMETER
284	1/8" OD
384	3/16" OD
484	1/4" OD

#### 3 Immersion Length "X"

Specify "X" length in inches using 2 digits, plus any fractional length desired. Examples: 04 = 4", 04(1/2) = 4.5"

#### 4.1 Sheath Fittings

CODE	DESCRIPTION
00	No Fitting

#### 4.2 Re-Adjustable Compression Fittings

CODE	DESCRIPTION	NPT	AVAILABLE SHEATH DIAMETERS (in inches)
12A	Stainless Steel	1/8"	1/8", 3/16"
12B	Stainless Steel	1/4"	3/16", 1/4"
12C	Stainless Steel	1/2"	1/8", 1/4"

Teflon® gland standard (400 °F max.) For lava gland (1200° max.) opt. 10A and 10B only use letter suffix "L" after compression fitting order code. EX: 10AL for lava gland.

#### 4.3 One-Time Adjustable Compression Fittings

CODE	DESCRIPTION	NPT	AVAILABLE SHEATH DIAMETERS (in inches)
05A	Stainless Steel	1/8"	1/8", 3/16", 1/4"
05B	Stainless Steel	1/4"	1/8", 3/16", 1/4"
05C	Stainless Steel	1/2"	1/8", 1/4"

#### 4.4 316SS Fixed Bushings

CODE	MOUNTING THREAD	AVAILABLE SHEATH DIAMETERS (in inches)
8A	1/8" NPT	1/8", 3/16", 1/4"
8B	1/4" NPT	1/8", 3/16", 1/4"
8C	1/2" NPT	1/8", 3/16", 1/4"
8D	3/4" NPT	1/8", 3/16", 1/4"

\*When ordering fixed bushings, specify order code above plus insertion length "U", as measured from hot tip to bottom of threaded bushing. EX: code 8A06 is 1/8" NPT, 316 SS bushing located 6" from hot tip.

#### 5 M12 Connector Termination

CODE	DESCRIPTION
45	No Process Connection
C45	1/2" NPT Process Connection
B45	1/4" NPT Process Connection
D45	3/4" NPT Process Connection

#### OPTIONAL TRANSMITTER

T	4 to 20 mA Temperature Transmitter (Requires Table 6 selection)
---	---

#### 6 Transmitter

CODE	DESCRIPTION
450-00	Programmable Transmitter Unconfigured
450	Programmable Transmitter Configured

#### 7 Fault Signal

CODE	DESCRIPTION
U	Upscale Burnout
D	Downscale Burnout

#### 8 Range

CODE	DESCRIPTION
S	(lower limit - upper limit)

#### 9 Units

CODE	DESCRIPTION
C	Celsius
F	Fahrenheit